

N° d'art. M107756

T à souder

Caractéristiques

- Sans soudure
- Acier St 35.8/ DIN 17175
- Exécution brute, noire

Données techniques

DIN 2615

Classification

eClass 10.1 22-56-02-02

UNSPSC 11.2 40142319

eClass 12.0 22-56-02-02

eClass 11.0 22-56-02-02

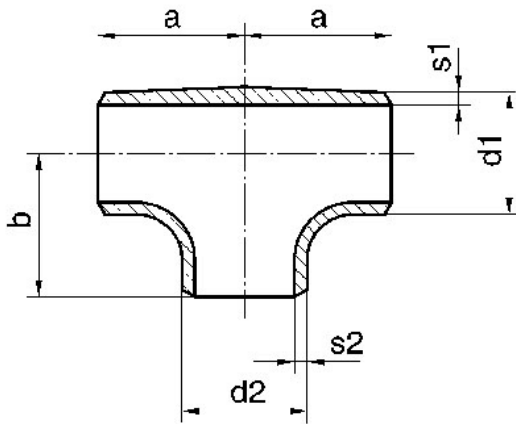


N° d'art.	Prix brut	d1 mm	d2 mm	s1 mm	s2 mm	a mm	b mm	Poids kg
10033373 574.300.100	48.10 / pce	21.3	21.3	2	2	25	25	0.090
10033374 574.300.110	48.10 / pce	26.9	26.9	2.3	2.3	29	29	0.150
10033375 574.300.120	60.20 / pce	26.9	21.3	2.3	2	29	29	0.150
10033376 574.300.130	56.00 / pce	33.7	33.7	2.6	2.6	38	38	0.290
10033377 574.300.140	57.90 / pce	33.7	26.9	2.6	2.3	38	38	0.290
10033378 574.300.150	65.20 / pce	33.7	21.3	2.6	2	38	38	0.290
10033379 574.300.160	63.20 / pce	42.4	42.4	2.6	2.6	48	48	0.490
10033380 574.300.170	64.50 / pce	42.4	33.7	2.6	2.6	48	48	0.490
10033381 574.300.180	69.70 / pce	48.3	48.3	2.6	2.6	57	57	0.690
10033382 574.300.190	79.00 / pce	48.3	42.4	2.6	2.6	57	57	0.690
10033383 574.300.200	79.00 / pce	48.3	33.7	2.6	2.6	57	57	0.690
10033384 574.300.210	143.00 / pce	57	57	2.9	2.9	60	60	0.990
10033385 574.300.220	81.90 / pce	60.3	60.3	2.9	2.9	64	64	1.000
10033386 574.300.230	125.50 / pce	60.3	48.3	2.9	2.6	64	60	1.000
10033387 574.300.240	125.50 / pce	60.3	42.4	2.9	2.6	64	57	1.000
10033388 574.300.250	109.50 / pce	60.3	33.7	2.9	2.6	64	51	1.000
10033389 574.300.260	110.50 / pce	76.1	76.1	2.9	2.9	76	76	1.680
10033390 574.300.270	136.50 / pce	76.1	60.3	2.9	2.9	76	70	1.680
10033391 574.300.280	141.50 / pce	76.1	48.3	2.9	2.6	76	67	1.680
10033392 574.300.290	162.00 / pce	76.1	42.4	2.9	2.6	76	64	1.680
10033393 574.300.300	157.50 / pce	88.9	88.9	3.2	3.2	86	86	2.300



N° d'art.	Prix brut	d1 mm	d2 mm	s1 mm	s2 mm	a mm	b mm	Poids kg
10033394 574.300.310	184.50 / pce	88.9	76.1	3.2	2.9	86	83	2.300
10033395 574.300.320	184.50 / pce	88.9	60.3	3.2	2.9	86	76	2.300
10033396 574.300.330	185.50 / pce	88.9	48.3	3.2	2.6	86	73	2.300
10033397 574.300.340	227.00 / pce	108	108	3.6	3.6	100	100	3.900
10033398 574.300.350	192.00 / pce	114.3	114.3	3.6	3.6	105	105	4.000
10033399 574.300.360	227.00 / pce	114.3	88.9	3.6	3.2	105	98	4.000
10033400 574.300.370	227.00 / pce	114.3	76.1	3.6	2.9	105	95	4.000
10033401 574.300.380	227.00 / pce	114.3	60.3	3.6	2.9	105	89	4.000
10033402 574.300.390	462.00 / pce	133	133	4	4	120	120	6.100
10033403 574.300.400	349.00 / pce	139.7	139.7	4	4	124	124	6.900
10033404 574.300.410	464.00 / pce	139.7	114.3	4	3.6	124	117	6.900
10033405 574.300.420	449.00 / pce	139.7	88.9	4	3.2	124	110	6.900
10033406 574.300.430	531.00 / pce	159	159	4.5	4.5	138	138	9.300
10033407 574.300.440	434.00 / pce	168.3	168.3	4.5	4.5	143	143	10.700
10033408 574.300.450	509.00 / pce	168.3	139.7	4.5	4	143	136	10.700
10033409 574.300.460	493.00 / pce	168.3	114.3	4.5	3.6	143	130	10.700
10033410 574.300.470	493.00 / pce	168.3	88.9	4.5	3.2	143	124	10.700
10033411 574.300.480	1075.00 / pce	219.1	219.1	6.3	6.3	178	178	18.300
10033412 574.300.490	1395.00 / pce	219.1	168.3	6.3	4.5	178	168	18.300
10033413 574.300.500	1516.00 / pce	219.1	139.7	6.3	4	178	162	18.300
10033414 574.300.510	1516.00 / pce	219.1	114.3	6.3	3.6	178	156	18.300
10033415 574.300.520	1718.00 / pce	273	273	6.3	6.3	216	216	37.500
10033416 574.300.530	1933.00 / pce	273	219.1	6.3	6.3	216	200	37.500
10033417 574.300.540	2909.00 / pce	323.9	323.9	7.1	7.1	254	254	50.000
10181984 574.300.550	3070.00 / pce	323.9	273.0	7.1	6.3	254	230	50.000
10033418 574.300.560	3316.00 / pce	323.9	219.1	7.1	6.3	254	230	50.000





Prix en CHF. Les prix ont valeur indicative, sans engagement. Livraisons uniquement en Suisse et au Liechtenstein.

