

N° d'art. M111807

WELKO KN226

Douille à souder A2

Caractéristiques

- Avec filetage femelle

Données techniques

Matériau INOX A2

Classification

eClass 12.0 23-10-06-90

eClass 10.1 23-10-06-90

UNSPSC 11.2 23171511

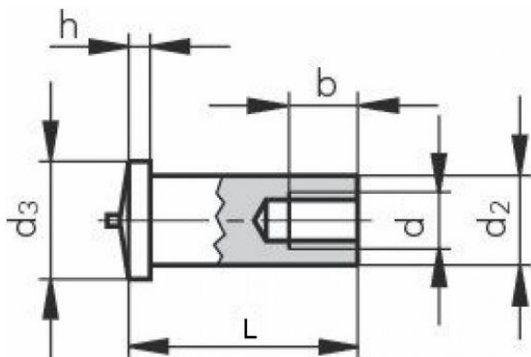
eClass 11.0 23-10-06-90



N° d'art.	UE	Prix brut	d	Type	L mm	b mm	d2 mm	d3 mm	h mm
10227097 739.763.090	100 pce	87.50 / 100 pce	M 3	KN226 M3x4.5/8	8	4.5	5	6.5	1.1
10225704 739.763.100	100 pce	107.30 / 100 pce	M 3	KN226 M3x5/10	10	5	5	6.5	1.1
10292042 739.763.105	100 pce	114.40 / 100 pce	M 3	KN226 M3x5/12	12	5	5	6.5	1.1
10292044 739.763.110	100 pce	120.30 / 100 pce	M 3	KN226 M3x5/15	15	5	5	6.5	1.1
10292046 739.763.115	100 pce	126.00 / 100 pce	M 3	KN226 M3x5/20	20	5	5	6.5	1.1
10292048 739.763.120	100 pce	132.20 / 100 pce	M 3	KN226 M3x5/25	25	5	5	6.5	1.1
10292050 739.763.125	100 pce	144.60 / 100 pce	M 3	KN226 M3x5/30	30	5	5	6.5	1.1
10292052 739.763.134	100 pce	100.80 / 100 pce	M 4	KN226 M4x5/8	8	5	6	7.5	1.1
10213434 739.763.140	100 pce	122.80 / 100 pce	M 4	KN226 M4x6/10	10	6	6	7.5	1.1
10292054 739.763.149	100 pce	124.50 / 100 pce	M 4	KN226 M4x6/12	12	6	6	7.5	1.1
10292055 739.763.160	100 pce	134.30 / 100 pce	M 4	KN226 M4x6/15	15	6	6	7.5	1.1
10292057 739.763.170	100 pce	147.30 / 100 pce	M 4	KN266 M4x6/20	20	6	6	7.5	1.1
10292059 739.763.180	100 pce	155.90 / 100 pce	M 4	KN226 M4x6/25	25	6	6	7.5	1.1
10292061 739.763.190	100 pce	219.10 / 100 pce	M 4	KN226 M4x6/30	30	6	6	7.5	1.1
10292063 739.763.200	100 pce	188.70 / 100 pce	M 4	KN226 M4x6/40	40	6	6	7.5	1.1
10292065 739.763.210	100 pce	199.80 / 100 pce	M 5	KN226 M5x6/10	10	6	7.1	9	1.1
10109962 739.763.310	100 pce	199.80 / 100 pce	M 5	KN226 M5x7.5/12	12	7.5	7.1	9	1.1
10292068 739.763.320	100 pce	175.50 / 100 pce	M 5	KN226 M5x7.5/15	15	7.5	7.1	9	1.1
10263890 739.763.330	100 pce	175.50 / 100 pce	M 5	KN226 M5x7.5/20	20	7.5	7.1	9	1.1
10292071 739.763.340	100 pce	187.00 / 100 pce	M 5	KN226 M5x7.5/25	25	7.5	7.1	9	1.1
10263891 739.763.350	100 pce	187.00 / 100 pce	M 5	KN226 M5x7.5/30	30	7.5	7.1	9	1.1



N° d'art.	UE	Prix brut	d	Type	L mm	b mm	d2 mm	d3 mm	h mm
10292074 739.763.360	100 pce	174.70 / 100 pce	M 6	KN226 M6x7.5/12	12	7.5	8	9	1.2
10292076 739.763.370	100 pce	175.80 / 100 pce	M 6	KN226 M6x7.5/15	15	7.5	8	9	1.2
10292078 739.763.380	100 pce	176.80 / 100 pce	M 6	KN226 M6x7.5/16	16	7.5	8	9	1.2
10292080 739.763.390	100 pce	180.20 / 100 pce	M 6	KN226 M6x7.5/20	20	7.5	8	9	1.2
10292082 739.763.400	100 pce	202.00 / 100 pce	M 6	KN226 M6x7.5/25	25	7.5	8	9	1.2
10292084 739.763.410	100 pce	208.70 / 100 pce	M 6	KN226 M6x7.5/30	30	7.5	8	9	1.2
10292086 739.763.420	100 pce	219.50 / 100 pce	M 6	KN226 M6x7.5/35	35	7.5	8	9	1.2
10292088 739.763.430	100 pce	397.00 / 100 pce	M 6	KN226 M6x7.5/40	40	7.5	8	9	1.2
10292090 739.763.440	100 pce	198.00 / 100 pce	M 8	KN226 M8x10/15	15	10	10.8	12.6	1.2
10292092 739.763.450	100 pce	235.20 / 100 pce	M 8	KN226 M8x10/20	20	10	10.8	12.6	1.2
10292094 739.763.460	100 pce	214.10 / 100 pce	M 8	KN226 M8x10/25	25	10	10.8	12.6	1.2
10292096 739.763.470	100 pce	307.00 / 100 pce	M 8	KN226 M8x10/30	30	10	10.8	12.6	1.2
10292098 739.763.480	100 pce	221.70 / 100 pce	M 8	KN226 M8x10/35	35	10	10.8	12.6	1.2
10292101 739.763.490	100 pce	223.60 / 100 pce	M 8	KN226 M8x10/40	40	10	10.8	12.6	1.2



Prix en CHF. Les prix ont valeur indicative, sans engagement. Livraisons uniquement en Suisse et au Liechtenstein.

